

(12) **UK Patent Application** (19) **GB** (11) **2 339 654** (13) **A**

(43) Date of A Publication 02.02.2000

(21) Application No 9815138.4

(22) Date of Filing 14.07.1998

(71) Applicant(s)

**International Business Machines Corporation
(Incorporated in USA - New York)
Armonk, New York 10504, United States of America**

(72) Inventor(s)

**Stephen Creaney
Richard John Fergusson
Stuart Heath
Shaun Kerigan
Philip Lane
Andrew Stevens
David Selviah**

(74) Agent and/or Address for Service

**C J Ling
IBM United Kingdom Limited, Intellectual
Property Department, Mail Point 110, Hursley Park,
WINCHESTER, Hampshire, SO21 2JN,
United Kingdom**

(51) INT CL⁷

H04L 12/64 , H04J 3/22

(52) UK CL (Edition R)

H4M MTCX1

(56) Documents Cited

**GB 2157921 A EP 0596652 A1 EP 0596649 A1
US 5654969 A**

(58) Field of Search

**UK CL (Edition Q.) H4M MTCA1 MTCA2 MTCA3
MTCX1 MTCX2 MTCX3
INT CL⁶ H04J 3/22 , H04L 12/64 25/49
ONLINE : WPI**

(54) Abstract Title

Optical data link system

(57) A communication system comprises a data link for transmitting data. A data encoder encodes data to be transmitted over the data link. The data encoder includes a parallel to serial multiplexing encoder for merging one or more digital isochronous data streams, each isochronous data stream having a different data rate, with a plurality of digital asynchronous data streams, each asynchronous data stream having a different data rate to that of the isochronous data streams, to form a single isochronous digital stream. A data decoder decodes data which is received over the data link. The data decoder includes a serial to parallel demultiplexing decoder for separating the digital isochronous data streams and the plurality of digital asynchronous data streams, from the single isochronous digital stream.

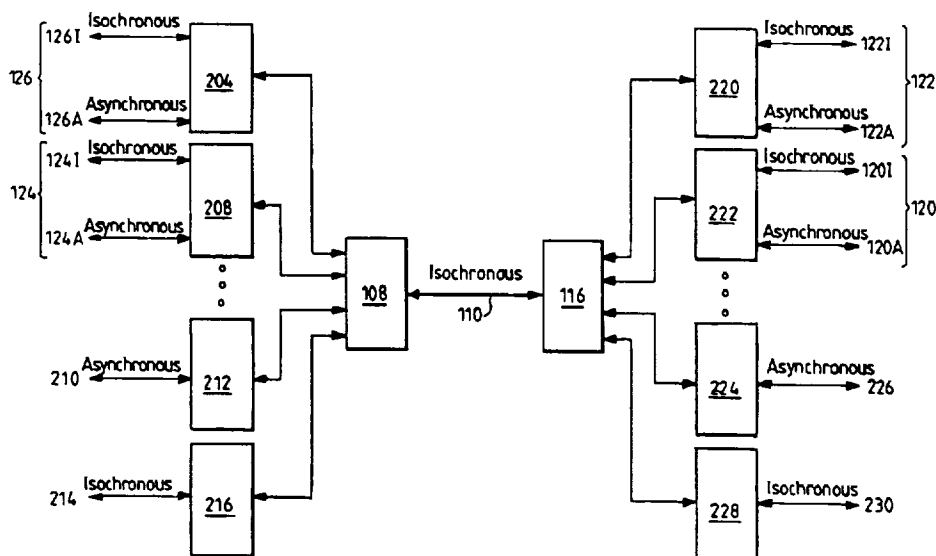


FIG. 2

GB 2 339 654 A

